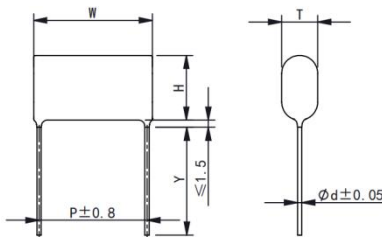
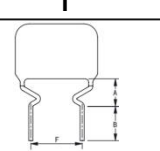
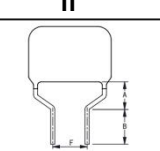
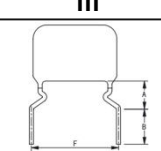
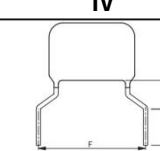


## CL21型金属化聚酯膜电容器(浸渍型)

## CL21 Type Metallized polyester film capacitor(dipped)

## ■ 外形图 Outline Drawing

		Forming Lead Shapes				
		I	II	III	IV	
						
		P ≥ F		P < F		
		0mm ≤ P-F ≤ 3mm	3mm < P-F ≤ 8mm	3mm < F-P ≤ 5mm	0mm < F-P ≤ 3mm	
		F ± 0.8mm; A ≤ 5.0mm; B = 4.5 ± 0.5mm				

## ■ 特点

- 金属化聚酯膜, 无感卷绕结构
- 容量范围宽, 体积小, 重量轻
- 自愈性好, 寿命长
- 阻燃性环氧粉末包封

## ■ 主要用途

- 适用于直流和 VHF 级信号的隔直流、旁路和耦合
- 广泛用于滤波、低脉冲电路

## ■ Features

- Metallized polyester film, non-inductive wound construction
- Wide capacitance range, small size, and lightweight
- Long life due to self-healing effect
- Flame retardant epoxy resin coated

## ● Typical Applications

- Suitable for blocking, by-pass and coupling of DC and signals to VHF range
- Widely used in filter and low pulse circuit

## ■ 技术要求 Specifications

引用标准 Reference Standard	GB/T 7332 (IEC 60384-2)					
气候类别 Climatic Category	55/105/21					
额定温度 Rated Temperature	85°C					
工作温度 Operating Temperature Range	-55°C~105°C (+85°C to +105°C: decreasing factor 1.25% per °C for U <sub>R</sub> )					
额定电压 Rated Voltage	50/63V, 100V, 250V, 400V, 630V, 1 000V, 1 250V					
电容量范围 Capacitance Range	0.010μF~10.0μF					
电容量偏差 Capacitance Tolerance	±5%(J), ±10%(K)					
耐电压 Voltage Proof	1.6U <sub>R</sub> (5s)					
损耗角正切 Dissipation Factor	≤1.0% (20°C, 1kHz)					
绝缘电阻 Insulation Resistance	U <sub>R</sub> > 100V	R ≥ 15 000MΩ, C <sub>N</sub> ≤ 0.33μF RC <sub>N</sub> ≥ 5 000s, C <sub>N</sub> > 0.33μF (20°C, 100V, 1min)				
	U <sub>R</sub> ≤ 100V	R ≥ 3 750MΩ, C <sub>N</sub> ≤ 0.33μF RC <sub>N</sub> ≥ 1 250s, C <sub>N</sub> > 0.33μF (20°C, 10V, 1min)				
最大脉冲爬升速率 Maximum Pulse Rise Time (dV/dt): 若实际工作电压 U 比额定电压 U <sub>R</sub> 低, 电容器可工作在更高的 dV/dt 场合, 这样 dV/dt 允许值应为右表值乘以 U <sub>R</sub> /U 为 If the working voltage (U) is lower than the rated voltage (U <sub>R</sub> ), the capacitor can be worked at a higher dV/dt. In this case, the maximum allowed dV/dt is obtain by multiplying the right value with U <sub>R</sub> /U.	U <sub>R</sub> (V)	dV/dt (V/μs) for Pattern III				
			P=7.5	P=10.0	P=15.0	P=22.5
	50/63	7.5	6	3	2	-
	100	15	9	5	3	-
	250	30	20	12	8	5
	400	40	30	20	10	7
	630	-	40	25	12	10
1 000	70	60	30	15	12	
1 250	80	70	40	18	14	

## ■ 产品编码说明 Part number system

### ■ 27位产品代码如下: The 27 digits part number is formed as follow:

<u>KP63.</u>	<u>104</u>	<u>J</u>	<u>30</u>	<u>15</u>	<u>LL0</u>	<u>3R5</u>	<u>R</u>	<u>2</u>	<u>000</u>	<u>C30</u>
型号	容量	容偏	电压	脚距	脚形	脚长	颜色	线径	特征	壳号
第1~5位	型号代码				Digit 1 to 5	Series code				
	KP63.= MKP63					KP63.= MKP63				
第6~8位	标称容量				Digit 6 to 8	Rated capacitance value				
	举例:103=10×10 <sup>3</sup> PF=10nF=0.01 μF					for example: 103=10×10p=10nFF=0.01 μF				
第9位	容量偏差				Digit 9	Capacitance tolerance				
	J=±5% K=±10% M=±20%					J=±5% K=±10% M=±20%				
第10~11位	交流额定电压				Digit10 to 11	AC rated voltage				
	2A=100V 2E=250V					2A=100V 2E=250V				
	2G=400V 2J=630V 3A=1000V					2G=400V 2J=630V 3A=1000V				
第12~13位	引线脚距				Digit12 to 13	Pitch				
	7P = 7.5mm 10= 10mm 15= 15 mm					7P = 7.5mm 10= 10mm 15= 15 mm				
	17=17.5mm 20= 20mm 22=22.5mm					17=17.5mm 20= 20mm 22=22.5mm				
	27=27.5mm 32=32.5mm 37=37.5mm					27=27.5mm 32=32.5mm 37=37.5mm				
第14~16位	引脚形状				Digit 14to 16	Pin shape				
	长直脚=LL0					Long straight leads: LL0				
	短直脚=SL0					Short straight leads: SL0				
	90°弯脚=RA0					90° bending:RA0				
第17~19位	引脚长度				Digit 17 to19	Lead length				
	2R5=2.5mm 3R5=3.5mm 10R=10mm					2R5=2.5mm 3R5=3.5mm 10R=10mm				
	100=100mm 000=编带料					100=100mm 000=编带料				
第20位	颜色				Digit 20	Colour				
	红色=R 黄色=Y 灰色=G 黑色=B					Red=R Yellow=Y Gray=G Black=B				
第21位	引线直径				Digit 21	Lead diameter				
	CP: 1=0.6mm 2=0.75mm 3=0.8mm					CP: 1=0.6mm 2=0.75mm 3=0.8mm				
	C μ: A=0.6mm B=0.7mm C=0.75mm					C μ: A=0.6mm B=0.7mm C=0.75mm				
第22~24位	内部特征				Digit 22 to 24	Internal characteristics				
	低功耗=P 低温升=T 低噪音=N					Low power=P Low temperature rise=T Low noise=N				
	高方阻=R 无卤=H 双85=B					High Square resistance=R Halogen-free =H Double 85=B				
第25~27位	塑壳代号				Digit 25 to 27	Plastic case code				
	B3LT=B3L C5YP-3=C53 D2=D20					B3LT=B3L C5YP-3=C53 D2=D20				
	D2-1=D21 D5大=D5D E3=E30					D2-1=D21 D5大=D5D E3=E30				

## ■ 外形尺寸 (Dimensions)

100V (63Vac)							250V (160Vac)						
CN ( $\mu$ F)	Wmax	Hmax	Tmax	P	d	Part number	CN ( $\mu$ F)	Wmax	Hmax	Tmax	P	d	Part number
0.12	10.5	7.0	4.0	7.5	0.6	CL21.124J2A****	0.010	10.5	6.5	3.5	7.5	0.6	CL21.103J2E****
0.15	10.5	7.5	4.2	7.5	0.6	CL21.154J2A****	0.012	10.5	6.7	3.7	7.5	0.6	CL21.123J2E****
0.18	10.5	7.8	4.4	7.5	0.6	CL21.184J2A****	0.015	10.5	7.4	3.8	7.5	0.6	CL21.153J2E****
0.22	10.5	7.8	4.6	7.5	0.6	CL21.224J2A****	0.018	10.5	7.6	4.0	7.5	0.6	CL21.183J2E****
0.27	10.5	8.1	4.8	7.5	0.6	CL21.274J2A****	0.022	10.5	7.4	4.0	7.5	0.6	CL21.223J2E****
0.33	10.5	8.5	5.0	7.5	0.6	CL21.334J2A****	0.027	10.5	7.7	4.1	7.5	0.6	CL21.273J2E****
0.39	10.5	8.8	5.2	7.5	0.6	CL21.394J2A****	0.033	10.5	7.3	4.3	7.5	0.6	CL21.333J2E****
0.47	10.5	9.5	5.5	7.5	0.6	CL21.474J2A****	0.039	10.5	7.5	4.5	7.5	0.6	CL21.393J2E****
0.56	12.5	8.8	5.2	10.0	0.6	CL21.564J2A****	0.047	10.5	7.8	4.7	7.5	0.6	CL21.473J2E****
0.68	12.5	9.3	5.6	10.0	0.6	CL21.68J2A****	0.056	10.5	8.0	4.9	7.5	0.6	CL21.563J2E****
0.82	12.5	9.7	6.1	10.0	0.6	CL21.824J2A****	0.068	10.5	8.2	5.1	7.5	0.6	CL21.683J2E****
1.0	12.5	10.3	6.6	10.0	0.6	CL21.105J2A****	0.082	10.5	8.4	5.3	7.5	0.6	CL21.823J2E****
1.2	12.5	10.9	7.5	10.0	0.6	CL21.125J2A****	0.10	10.5	8.5	5.5	7.5	0.6	CL21.104J2E****
1.5	12.5	11.5	8.0	10.0	0.6	CL21.155J2A****	0.15	10.5	8.7	5.7	7.5	0.6	CL21.154J2E****
1.8	17.5	13.5	6.5	15.0	0.75	CL21.185J2A****	0.18	12.5	8.9	4.9	10.0	0.6	CL21.184J2E****
2.2	17.5	14.2	7.0	15.0	0.75	CL21.225J2A****	0.22	12.5	10.5	5.2	10.0	0.6	CL21.224J2E****
2.7	17.5	15.0	7.5	15.0	0.75	CL21.275J2A****	0.27	12.5	10.5	5.3	10.0	0.6	CL21.274J2E****
3.3	17.5	15.8	8.5	15.0	0.75	CL21.335J2A****	0.33	12.5	10.5	5.5	10.0	0.6	CL21.334J2E****
3.9	17.5	16.5	9.2	15.0	0.75	CL21.395J2A****	0.39	18.0	10.5	5.2	15.0	0.75	CL21.394J2E****
4.7	25.5	17.0	8.0	22.5	0.8	CL21.475J2A****	0.47	18.0	10.8	5.6	15.0	0.75	CL21.474J2E****
5.6	25.5	17.7	9.0	22.5	0.8	CL21.565J2A****	0.56	18.0	12.3	5.5	15.0	0.75	CL21.564J2E****
6.8	25.5	18.5	10.2	22.5	0.8	CL21.685J2A****	0.68	18.0	12.8	6.0	15.0	0.75	CL21.684J2E****
8.2	25.5	19.5	11.0	22.5	0.8	CL21.825J2A****	0.82	18.0	13.8	6.5	15.0	0.75	CL21.824J2E****
10.0	25.5	21.5	11.5	22.5	0.8	CL21.106J2A****	1.0	18.0	14.4	7.1	15.0	0.75	CL21.105J2E****
-	-	-	-	-	-	-	1.2	18.0	15.0	7.7	15.0	0.75	CL21.125J2E****
-	-	-	-	-	-	-	1.5	18.0	15.9	9.1	15.0	0.75	CL21.155J2E****
-	-	-	-	-	-	-	1.8	18.0	16.5	10.0	15.0	0.75	CL21.185J2E****
-	-	-	-	-	-	-	0.68	22.5	15.0	7.5	20.0	0.8	CL21.684J2E****
-	-	-	-	-	-	-	1.0	22.5	13.5	6.0	20.0	0.8	CL21.105J2E****
-	-	-	-	-	-	-	1.5	22.5	16.0	6.5	20.0	0.8	CL21.155J2E****
-	-	-	-	-	-	-	2.2	25.5	15.6	8.8	22.5	0.8	CL21.225J2E****
-	-	-	-	-	-	-	3.3	25.5	17.5	10.5	22.5	0.8	CL21.335J2E****
-	-	-	-	-	-	-	4.7	25.5	20.5	12.0	22.5	0.8	CL21.475J2E****
-	-	-	-	-	-	-	5.6	30.5	20.5	12.5	27.5	0.8	CL21.565J****
-	-	-	-	-	-	-	6.8	30.5	21.6	13.5	27.5	0.8	CL21.685J****
-	-	-	-	-	-	-	8.2	30.5	23.0	14.5	27.5	0.8	CL21.825J2E****

400V (200Vac )						
CN ( $\mu$ F)	Wmax	Hmax	Tmax	P	d	Part number
0.01	10.5	6.9	3.9	7.5	0.6	CL21.103J2G****
0.012	10.5	7.1	4.1	7.5	0.6	CL21.123J2G****
0.015	10.5	7.5	4.4	7.5	0.6	CL21.153J2G****
0.018	10.5	7.7	4.5	7.5	0.6	CL21.183J2G****
0.022	10.5	7.8	4.7	7.5	0.6	CL21.223J2G****
0.027	10.5	7.9	4.9	7.5	0.6	CL21.273J2G****
0.033	10.5	8.1	5.1	7.5	0.6	CL21.333J2G****
0.039	10.5	8.2	5.3	7.5	0.6	CL21.393J2G****
0.047	10.5	8.5	5.5	7.5	0.6	CL21.473J2G****
0.056	12.5	8.8	4.5	10.0	0.06	CL21.563J2G****
0.068	12.5	9.1	4.7	10.0	0.6	CL21.683J2G****
0.082	12.5	9.5	5.0	10.0	0.6	CL21.823J2G****
0.10	12.5	9.9	5.5	10.0	0.6	CL21.104J2G****
0.12	12.5	10.5	6.0	10.0	0.6	CL21.124J2G****
0.15	18.0	10.5	5.5	15.0	0.75	CL21.154J2G****
0.18	18.0	11.0	5.8	15.0	0.75	CL21.184J2G****
0.22	18.0	11.5	6.5	15.0	0.75	CL21.224J2G****
0.27	18.0	12.0	6.8	15.0	0.75	CL21.274J2G****
0.33	18.0	13.5	7.4	15.0	0.75	CL21.334J2G****
0.39	18.0	13.8	8.0	15.0	0.75	CL21.394J2G****
0.47	18.0	15.0	8.5	15.0	0.75	CL21.474J2G****
0.56	18.0	15.1	9.9	15.0	0.75	CL21.564J2G****
0.68	18.0	16.0	10.8	15.0	0.75	CL21.684J2G****
0.82	18.0	17.0	11.8	15.0	0.75	CL21.824J2G****
1.0	25.5	17.5	9.0	22.5	0.8	CL21.105J2G****
1.2	25.5	18.3	10.0	22.5	0.8	CL21.125J2G****
1.5	25.5	19.5	11.0	22.5	0.8	CL21.155J2G****
1.8	30.5	19.5	11.0	27.5	0.8	CL21.185J2G****
2.2	30.5	21.3	11.5	27.5	0.8	CL21.225J2G****
2.7	30.5	22.4	12.5	27.5	0.8	CL21.275J2G****
3.3	30.5	24.0	14.0	27.5	0.8	CL21.335J2G****
3.9	30.5	25.3	15.3	27.5	0.8	CL21.395J2G****
4.7	30.5	26.8	16.9	37.5	0.8	CL21.475J2G****
-	-	-	-	-	-	-
-	-	-	-	-	-	-
-	-	-	-	-	-	-

备注Note: 1. “J”表示容量偏差。J=5%, K=±10%, M=±20%。  
2. “\*\*\*\*”表示产品编码的后续部分

630V (220Vac )						
CN ( $\mu$ F)	Wmax	Hmax	Tmax	P	d	Part number
0.01	12.5	7.5	3.8	10.0	0.6	CL21.103J2G****
0.012	12.5	7.6	4.0	10.0	0.6	CL21.123J2G****
0.015	12.5	7.7	4.2	10.0	0.6	CL21.153J2G****
0.018	12.5	7.9	4.5	10.0	0.6	CL21.183J2G****
0.022	12.5	8.2	4.6	10.0	0.6	CL21.223J2G****
0.027	12.5	8.5	4.9	10.0	0.6	CL21.273J2G****
0.033	12.5	8.9	5.2	10.0	0.6	CL21.333J2G****
0.039	12.5	9.5	5.5	10.0	0.6	CL21.393J2G****
0.047	12.5	9.7	6.0	10.0	0.6	CL21.473J2G****
0.056	12.5	10.2	6.5	10.0	0.6	CL21.563J2G****
0.068	12.5	10.7	7.0	10.0	0.6	CL21.683J2G****
0.082	12.5	11.5	7.6	10.0	0.6	CL21.823J2G****
0.10	18.0	11.5	6.5	15.0	0.75	CL21.104J2G****
0.12	18.0	12.0	6.8	15.0	0.75	CL21.124J2G****
0.15	18.0	12.7	7.5	15.0	0.75	CL21.154J2G****
0.18	18.0	14.0	8.2	15.0	0.75	CL21.184J2G****
0.22	18.0	14.5	9.5	15.0	0.75	CL21.224J2G****
0.27	18.0	15.5	10.2	15.0	0.75	CL21.274J2G****
0.33	18.0	16.5	11.2	15.0	0.75	CL21.334J2G****
0.39	18.0	17.2	12.0	15.0	0.75	CL21.394J2G****
0.47	25.5	16.5	9.7	22.5	0.8	CL21.474J2G****
0.56	25.5	17.2	10.5	22.5	0.5	CL21.564J2G****
0.68	25.5	18.2	11.5	22.5	0.8	CL21.684J2G****
0.82	25.5	19.5	12.5	22.5	0.8	CL21.684J2G****
1.0	30.5	20.0	11.6	27.5	0.8	CL21.105J2G****
1.2	30.5	22.0	12.6	27.5	0.8	CL21.125J2G****
1.5	30.5	22.5	14.1	27.5	0.8	CL21.155J2G****
1.8	30.5	23.8	15.5	27.5	0.8	CL21.185J2G****
2.2	30.5	25.5	17.5	27.5	0.8	CL21.225J2G****
-	-	-	-	-	-	-
-	-	-	-	-	-	-
-	-	-	-	-	-	-
-	-	-	-	-	-	-
-	-	-	-	-	-	-

“-”=capacitance tolerance code. J=5%, K=±10%, M=±20%。  
“\*\*\*\*”=Represents the subsequent part of the product code