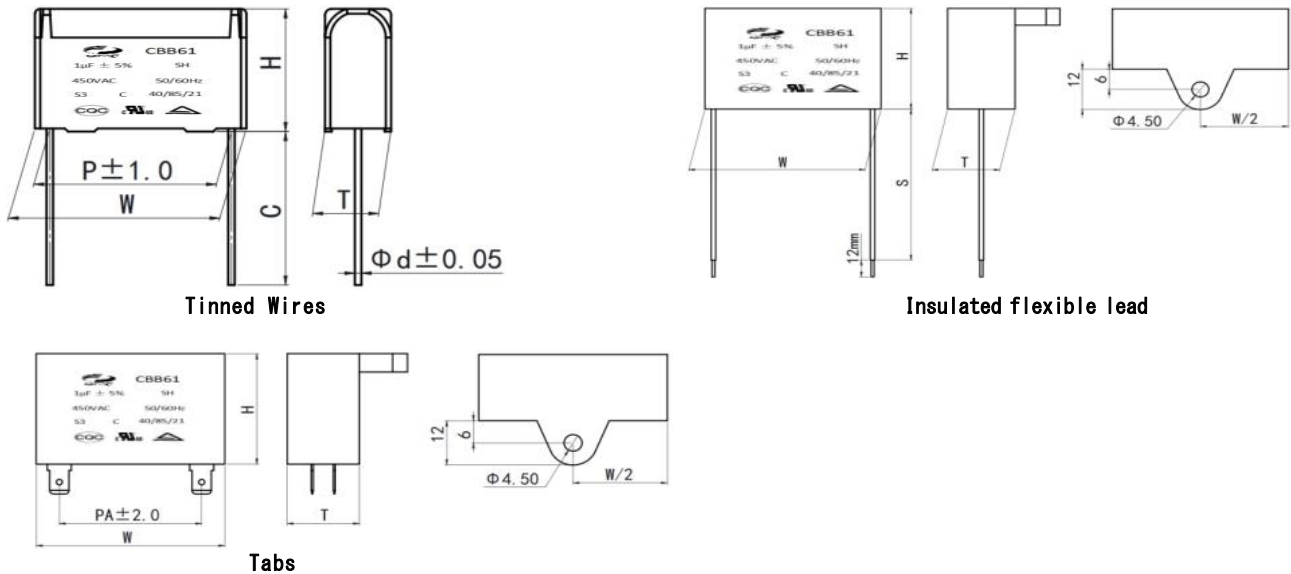


## CBB61型安全等级 S3 的金属化聚丙烯膜交流电动机电容器(塑料外壳) CBB61 Type Safetyclass S3 Metallized polypropylenefilm AC motor capacitor (Box-type)

### 外形图 Outline Drawing



### 特点

- 适用于频率为50Hz/60Hz交流电源供电的单相电动机起动和运转
- 有自愈特性
- 性能稳定,可靠性高
- 安全膜设计,达到S3安全防护等级

### 安全认证 Safety Approvals

●		CQC (中国)	GB/T 3667.1-2016 A.C. Motor Capacitor 0.5μF ~ 10μF±5% 350Vac/400Vac/450Vac S3 SH 40/85/21C 50/60Hz 证书号 (Certificate No.) 03022002353179
●		UL/CUL (美国、加拿大)	UL 810 0.5μF ~ 10μF±5% 350Vac/400Vac/450Vac S3 SH 40/85/21C 50/60Hz 证书号 (Certificate No.) 504468
●		TUV (德国)	EN 60252-1: 2011 0.47μF ~ 30μF±5% 350Vac/400Vac/450Vac S3 SH 40/85/21C 50/60Hz 证书号 (Certificate No.) R 50554333

### Features

- Widely applied to starting and running of AC single-phase motors at 50Hz/60Hz frequency power
- Self-healing property
- High performance and reliability
- Safety class S3, with segmented film designing

### 技术要求 Specifications

额定电压 Rated Voltage		450Vac (50Hz/60Hz)
运行等级 Class of operation		Class C
电容量范围 Capacitance Range		0.47μF~30μF
电容量偏差 Capacitance Tolerance		±5%(J), ±10%(K)
安全防护等级 Class of safety protection		S3
气候类别 Climate category		40/85/21
耐压 Voltage Proof	引线之间 Between Terminals	900Vac (2s)
	极壳之间 Between Terminals and	3 000Vac (2s)
最高运行电压 Maximum permissible voltage		1.1U <sub>n</sub>
最高运行电流 Maximum permissible current		1.3I <sub>n</sub>
绝缘电阻 Insulation Resistance (IR×C <sub>0</sub> )		t <sub>i</sub> 3 000s (20℃, 100V, 1min)
损耗角正切 Dissipation Factor		t <sub>i</sub> 20×10 <sup>-4</sup> (20℃, 1kHz)

## ■ 产品编码说明 Part number system

● 27位产品代码如下: The 27 digits part number is formed as follow:

CB61 .	<u>104</u>	<u>J</u>	<u>2J</u>	<u>15</u>	<u>LL0</u>	<u>20R</u>	<u>B</u>	<u>2</u>	<u>000</u>	<u>F40</u>
型号	容量	容偏	电压	脚距	脚形	脚长	颜色	线径	特征	壳号
第1~5 位	型号代码				Digit 1 to 5	Series code				
	CB61. = CBB61					CB61. = CBB61				
第6~8 位	标称容量				Digit 6 to 8	Rated capacitance value				
	举例: 103=10×10 <sup>3</sup> PF=10nF=0.01μF					for example: 103=10×10p=10nFF=0.01μF				
第 9 位	容量偏差				Digit 9	Capacitance tolerance				
	J=±5% K=±10% M=±20%					J=±5% K=±10% M=±20%				
第10~11位	交流额定电压				Digit 10 to 11	AC rated voltage				
	35=350Vac 40=400Vac 45=450Vac					35=350Vac =275Vac 31=310Vac				
第12~13位	引线脚距				Digit 12 to 13	Pitch				
	7P= 7.5mm 10= 10mm 15= 15 mm					7P= 7.5mm 10= 10mm 15= 15 mm				
	17=17.5mm 20= 20mm 22=22.5mm					17=17.5mm 20= 20mm 22=22.5mm				
	27=27.5mm 32=32.5mm 37=37.5mm					27=27.5mm 32=32.5mm 37=37.5mm				
第 14~16 位	引脚形状				Digit 14 to 16	Pin shape				
	长直脚=LL0					Long straight leads: LL0				
	短直脚=SL0					Short straight leads: SL0				
第17~19 位	引脚长度				Digit 17 to 19	Lead length				
	2R5=2.5mm 3R5=3.5mm 10R=10mm					2R5=2.5mm 3R5=3.5mm 10R=10mm				
	100=100mm 000=编带料					100=100mm 000=编带料				
第 20 位	颜色				Digit 20	Colour				
	红色=R 黄色=Y 灰色=G 黑色=B					Red=R Yellow=Y Gray=G Black=B				
第 21 位	引线直径				Digit 21	Lead diameter				
	CP: 1=0.6mm 2=0.75mm 3=0.8mm					CP: 1=0.6mm 2=0.75mm 3=0.8mm				
	Cμ: A=0.6mm B=0.7mm C=0.75mm					Cμ: A=0.6mm B=0.7mm C=0.75mm				
	黑色软线=X					black rubber wire =X				
	187#插片= 0					End piece 187#=0				
第22~24 位	内部特征				Digit 22 to 24	Internal characteristics				
	低功耗=P 低温升=T 低噪音=N					Low power=P Low temperature rise=T Low noise=N				
	高方阻=R 无卤=H 双 85=B					High Square resistance=R Halogen-free =H Double 85=B				
第 25~27 位	塑壳代号				Digit 25 to 27	Plastic case code				
	D2-1=D21 D5 大=D5D E3=E30					D2-1=D21 D5 大=D5D E3=E30				
	TA2-1=TA2 TB40=TB4 TE53=TE5					TA2-1=TA2 TB40=TB4 TE53=TE5				

## ■ 外形尺寸 (Dimensions)

引线式 Tinned lead wire						
CN ( $\mu$ F)	W	H	T	P	d	Part number
0.47	32.0	23.0	13.0	27.5	0.8	CB61.474J45****
0.56	32.0	23.0	13.0	27.5	0.8	CB61.564J45****
0.82	32.0	23.0	13.0	27.5	0.8	CB61.82445****
1.0	36.0	32.0	12.0	32.5	0.8	CB61.105J45****
1.2	36.0	22.0	12.0	32.5	0.8	CB61.125J45****
1.3	36.0	22.0	12.0	32.5	0.8	CB61.135J45****
1.5	36.0	22.0	12.0	32.5	0.8	CB61.155J45****
1.8	36.0	23.0	14.0	32.5	0.8	CB61.185J45****
2.0	38.0	26.0	16.0	32.5	0.8	CB61.205J45****
2.2	38.0	26.0	16.0	32.5	0.8	CB61.225J45****
2.5	38.0	26.0	16.0	32.5	0.8	CB61.255J45****
2.7	38.0	28.0	18.0	32.5	0.8	CB61.275J45****
3.0	38.0	28.0	18.0	32.5	0.8	CB61.305J45****
3.3	38.0	30.0	20.0	32.5	0.8	CB61.335J45****
3.5	38.0	30.0	20.0	32.5	0.8	CB61.355J45****
4.0	48.0	30.0	20.0	42.5	1.0	CB61.405J45****
4.5	48.0	30.0	20.0	42.5	1.0	CB61.455J****
5.0	48.0	30.0	20.0	42.5	1.0	CB61.505J****
5.5	48.0	32.0	22.0	42.5	1.0	CB61.555J45****
6.0	48.0	32.0	22.0	42.5	1.0	CB61.605J45****
6.3	48.0	32.0	22.0	42.5	1.0	CB61.635J45****
6.5	48.0	32.0	22.0	42.5	1.0	CB61.655J45****
7.0	48.0	37.0	26.0	42.5	1.0	CB61.705J45****
7.5	48.0	37.0	26.0	42.5	1.0	CB61.755J45****
8.0	48.0	37.0	26.0	42.5	1.0	CB61.805J45****
9.0	60.0	36.0	27.0	52.5	1.2	CB61.905J45****
10.0	60.0	36.0	27.0	52.5	1.2	CB61.106J45****
12.0	60.0	45.0	30.0	52.5	1.2	CB61.126J45****
13.0	60.0	45.0	30.0	52.5	1.2	CB61.136J45****
14.0	60.0	46.0	33.0	52.5	1.2	CB61.146J45****
15.0	62.0	47.0	45.0	52.5	1.2	CB61.156J45****
16.0	62.0	47.0	45.0	52.5	1.2	CB61.165J45****
18.0	62.0	47.0	45.0	52.5	1.2	CB61.186J45****
20.0	70.0	55.0	70.0	62.5	1.2	CB61.206J45****
25.0	70.0	70.0	55.0	62.5	1.2	CB61.256J45****
30.0	70.0	70.0	55.0	62.5	1.2	CB61.306J45****

插片或 PVC 软引出线式 Tabs or Insulated flexible lead wires						
CN ( $\mu$ F)	W	H	T	P	d	Part number
0.47	32.0	23.0	13.0	20.0	-	CB61.474J45****
0.56	32.0	23.0	13.0	20.0	-	CB61.564J45****
0.82	32.0	23.0	13.0	20.0	-	CB61.82445****
1.0	36.0	32.0	12.0	25.0	-	CB61.105J45****
1.2	36.0	22.0	12.0	25.0	-	CB61.125J45****
1.3	36.0	22.0	12.0	25.0	-	CB61.135J45****
1.5	36.0	22.0	12.0	25.0	-	CB61.155J45****
1.8	36.0	23.0	14.0	25.0	-	CB61.185J45****
2.0	38.0	26.0	16.0	25.0	-	CB61.205J45****
2.2	38.0	26.0	16.0	25.0	-	CB61.225J45****
2.5	38.0	26.0	16.0	25.0	-	CB61.255J45****
2.7	38.0	28.0	18.0	25.0	-	CB61.275J45****
3.0	38.0	28.0	18.0	25.0	-	CB61.305J45****
3.3	38.0	30.0	20.0	25.0	-	CB61.335J45****
3.5	38.0	30.0	20.0	25.0	-	CB61.355J45****
4.0	48.0	30.0	20.0	35.0	-	CB61.405J45****
4.5	48.0	30.0	20.0	35.0	-	CB61.455J****
5.0	48.0	30.0	20.0	35.0	-	CB61.505J****
5.5	48.0	32.0	22.0	35.0	-	CB61.555J45****
6.0	48.0	32.0	22.0	35.0	-	CB61.605J45****
6.3	48.0	32.0	22.0	35.0	-	CB61.635J45****
6.5	48.0	32.0	22.0	35.0	-	CB61.655J45****
7.0	48.0	37.0	26.0	35.0	-	CB61.705J45****
7.5	48.0	37.0	26.0	35.0	-	CB61.755J45****
8.0	48.0	37.0	26.0	35.0	-	CB61.805J45****
9.0	60.0	36.0	27.0	47.5	-	CB61.905J45****
10.0	60.0	36.0	27.0	47.5	-	CB61.106J45****
12.0	60.0	45.0	30.0	47.5	-	CB61.126J45****
13.0	60.0	45.0	30.0	47.5	-	CB61.136J45****
14.0	60.0	46.0	33.0	47.5	-	CB61.146J45****
15.0	62.0	47.0	45.0	50.0	-	CB61.156J45****
16.0	62.0	47.0	45.0	50.0	-	CB61.165J45****
18.0	62.0	47.0	45.0	50.0	-	CB61.186J45****
20.0	70.0	55.0	70.0	57.5	-	CB61.206J45****
25.0	70.0	70.0	55.0	57.5	-	CB61.256J45****
30.0	70.0	70.0	55.0	57.5	-	CB61.306J45****

备注Note 1. “J”表示容量偏差。J=5%, K=±10%, M=±20%。  
2. “\*\*\*\*”表示产品编码的后续部分

- =capacitance tolerance code. J=5%, K=±10%, M=±20%.  
\*\*\*\* =Represents the subsequent part of the product code